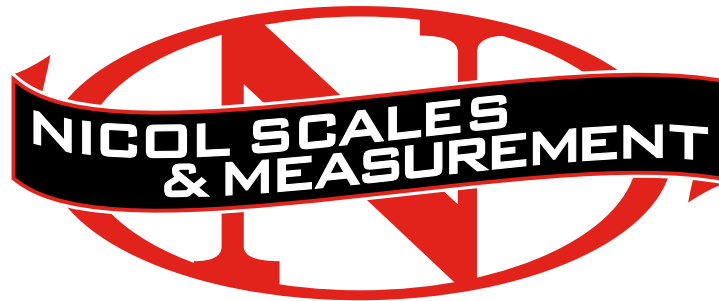


PRESENTED BY



**AN ISO 17025  
ACCREDITED COMPANY**

DALLAS      FT WORTH      AUSTIN      HOUSTON

[NICOLSCALES.COM](http://NICOLSCALES.COM)

---

800.225.8181

[CONTACT US](#)

NICOL SCALES & MEASUREMENT IS AN ISO ACCREDITED CALIBRATION  
COMPANY THAT HAS PROVIDED CALIBRATION, REPAIR AND SALES OF ALL TYPES  
OF WEIGHING AND MEASUREMENT PRODUCTS SINCE 1931.

# LP600™ Wheel Load Scales

## Low-Profile, Lightweight Digital Wheel Load Scales



CERTIFIED



The Axle Weighing Specialist



### ***Maximize Legal Payloads & Reduce Maintenance Due to Overload Stress on Equipment***

Starting at a scale pad weight of 45 lb (21 kg), with a profile of just 1.5" (38 mm), the LP600™ Low-Profile Wheel Load Scale weighs loads up to 30,000 lb (15,000 kg) with an accuracy of  $\pm 1\%$ . Progressive solar charging technology allows the commercially available AA rechargeable batteries to be powered for up to one year with daytime, outdoor use.

Fully integrated RFX® Wireless Weighing Technology makes it possible to sequentially couple and number scales in a series for total weight and scales can be linked to a multitude of Intercomp weighing indicators. For customers whose local regulations prevent the use of wireless communications, radios can be disabled or Intercomp offers a full line of hard-wired alternatives.

# LP600™ LOW-PROFILE WHEEL LOAD SCALES



NTEP/OIML Certified  
Models Available

Accuracy of  $\pm 1\%$  of Reading

Available in System Capacities  
to 60,000 lb (30,000 kg)

Large LCD Display with  
Backlight for Easy Readings  
from Scales

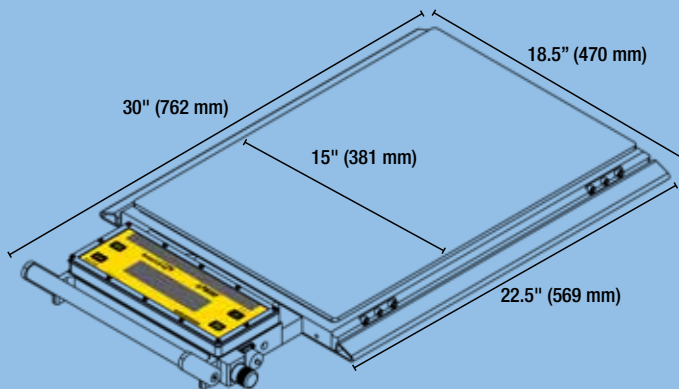


Low-Profile Height of Just 1.5" (38 mm)

Rugged, Lightweight Aluminum  
Construction Built to Withstand Heavy  
Use; Ideal for Unimproved Surfaces

Solar Power Provides up to One Year of  
Battery Life with Daytime, Outdoor Use  
(up to 250 hours without Solar Power,  
batteries included)

Integrated Indicator with Comprehensive  
Push Button Controls Include:  
On/Off, Local/Total, Zero & Print/Accum



## Compatible with these Intercomp Devices (Sold Separately)



HH™ Series Weighing Indicators



PT20™ Weighing CPU



IntercompWeigh™ Software



iVehicleWeigh™ Software



Displays & Printers

info@intercompcompany.com  
Worldwide: +1 763-476-2531  
Toll Free: 800-328-3336

© 2021 Intercomp Company



Specifications subject to change without notice.



Printed in the U.S.A.

700682