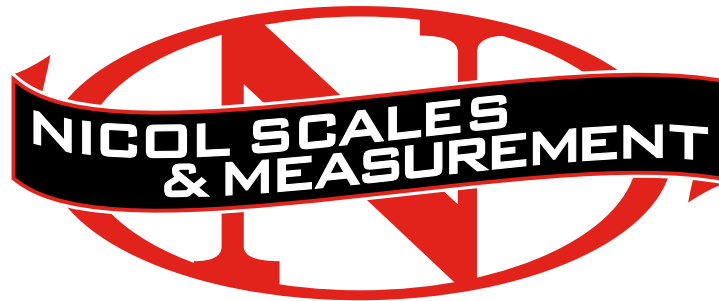


PRESENTED BY



**AN ISO 17025
ACCREDITED COMPANY**

DALLAS FT WORTH AUSTIN HOUSTON

NICOLSCALES.COM

800.225.8181

[CONTACT US](#)

NICOL SCALES & MEASUREMENT IS AN ISO ACCREDITED CALIBRATION
COMPANY THAT HAS PROVIDED CALIBRATION, REPAIR AND SALES OF ALL TYPES
OF WEIGHING AND MEASUREMENT PRODUCTS SINCE 1931.



Quintix®

Benefits

- PC-Direct Feature
- Automatic Internal Adjustment
- Top Performance
- Intuitive Operation
- Ergonomic Draft Shield



Product Information

The Sartorius Quintix® sets new benchmarks in every aspect for standard lab balances. A number of features make Your workflow much more efficient, such as fully automatic internal adjustment, direct data transfer, ergonomic style and, above all, the entirely new touchscreen user interface with built-in application programs.

The self-explanatory icons and plain-text prompts on the large touchscreen show you all the information you need to know for the procedure – no more, no less.

Technical Specifications

AC Adapter

Sartorius AC adaptor module 6971790 with interchangeable country-specific plug-in AC adaptors

Primary 100 – 240 V~, -10%|+10%,
50 – 60 Hz, 0.2 A

Secondary 15 V DC, ± 5%, 530 mA (max.) |
8 Watt (max.): 0 to +40 °C and
15 V DC, ± 5%, 330 mA (max.) |
5 Watt (max.): 0 to +50 °C

Other data protection class II, in accordance
with EN | IEC 60950-1 up to
3000 m above sea level;
IP40 as per EN | IEC 60529

Balance

Power supply only via Sartorius AC adaptor
module 6971790

Input voltage 12.0 – 15.0 V DC

Power consumption 2.0 W (typically)
4.5 W (typically), only for
125D-1x, 65-1x and 35-1x

Ambient Conditions

The specifications apply when the following ambient conditions are in place:

Environment for indoor use only

Ambient temperature* +10 °C to +30 °C

Operational capacity guaranteed between
+5 °C and +45 °C

Storage and shipping -10 °C to +60 °C

Elevation up to 3000 m above sea level

Relative humidity** 15% to 80% for temperatures
up to 31 °C; non-condensing,
decreasing linearly to 50% relative
humidity at 40 °C and 20% at 50 °C

Safety of electrical equipment in accordance with EN 61010-1/
IEC 61010-1. Safety requirements
for electrical equipment for mea-
surement, control, and laboratory
use – Part 1: General requirements

Electromagnetic compatibility in accordance with EN 61326-1/
IEC 61326-1. Electrical equipment
for measurement, control, and
laboratory use – EMC requirements
– Part 1: General requirements

Defined immunity to interference Suitable for use in industrial areas

Interference emission Class B (suitable for use in
residential areas and areas that
are connected to a low voltage
network that also supplies
residential buildings).
The device can therefore be
used in both areas.

Balances verified for use in legal metrology comply with the requirements of Council Directive 2009/23/EC, EN 45501:1992, and OIML R76:2006.

* For balances verified for use in legal metrology in accordance with EU requirements, refer to the information on the balance.

** For balances verified for use in legal metrology in accordance with EU requirements, the legal regulations apply.

| Standard Equipment | |
|---------------------------------------|--|
| Levelling | Glass level indicator with air bubble for centering |
| Calibration | Internal calibration isoCAL, External calibration |
| Selectable weight units ¹⁾ | Gram, kilogram, carat, pound, ounce, troy ounce, Hong Kong tael, Singapore tael, Taiwan tael, grain, pennyweights, milligram, parts per pound, China tael, mommes, Austrian carat, tola, baht, mesghal and Newton |
| Interface | mini USB <ul style="list-style-type: none"> - Automatic recognition of Sartorius printer models YDP30 or YDP40 - Direct data transfer to Microsoft® Windows programs - Programmable interval for data output - Data transfer protocols SBI, xBPI, table format, text format |
| Display | Touch screen with Sartorius graphical user interface |
| Standard built-in applications | Weighing, Density, Percentage, Checkweighing, Peak Hold, Counting, Unstable Conditions Animal weighing |

| Standard Equipment | |
|-----------------------------------|--|
| Special built-in lab applications | Mixing, Components, Statistics, Conversion |
| Languages | English, French, German, Hungarian, Italian, Polish, Portuguese, Russian, Spanish, Turkish, Chinese, Japanese, Korean |
| Protection | <ul style="list-style-type: none"> - Chemical resistant finish of the top housing - Glass parts of the draft shield are coated to reduce electrostatic influences - In-use cover - Dust cover for balances with draft shield |
| Password protection | Supervisor lock for protection against unintentional changes |
| Anti-theft lock | Kensington lock and lockdown capability for cable or chain |

¹⁾ Limited for verified models



Standard Models

| Model | | 125D-1x ¹⁾ | 65-1x ¹⁾ | 35-1x ¹⁾ |
|---|---------|-------------------------|-------------------------|-------------------------|
| Design | | 1 | 1 | 1 |
| Weighing capacity | g | 40 60 120 | 40 60 | 30 |
| Readability | mg | 0.01 0.01 0.1 | 0.01 0.01 | 0.01 |
| Repeatability (standard deviation) | mg | 0.03 0.04 0.07 | 0.03 0.04 | 0.03 |
| Repeatability (standard deviation), typical | mg | 0.02 0.04 0.07 | 0.02 0.04 | 0.03 |
| Linearity deviation | mg | 0.1 0.1 0.2 | 0.1 0.1 | 0.1 |
| Typical starting point of the operating range ²⁾ | mg | 25* | 25* | 25* |
| Optimal starting point of the operating range ²⁾ | mg | 8.2* | 8.2* | 8.2* |
| Sensitivity drift between +10 °C and +30 °C | ± ppm/K | 1 | 1 | 1 |
| Typical stabilization time | s | 6 6 2 | 6 6 | 6 |
| isoCAL: | | | | |
| – Temperature change | K | 1.5 | 1.5 | 1.5 |
| – Time interval | h | 4 | 4 | 4 |
| Display result (depending on the set filter level) | s | 0.2 0.4 | 0.2 0.4 | 0.2 0.4 |
| Weighing pan size | mm | ∅ 80 (optional ∅ 90) | ∅ 80 (optional ∅ 90) | ∅ 80 (optional ∅ 90) |
| Weighing chamber height** | mm | 218 | 218 | 218 |
| Net weight, approx. | kg | 7.8 | 7.8 | 7.8 |
| IP protection class | | IP43 | IP43 | IP43 |

| Model | | 224-1x ¹⁾ | 124-1x ¹⁾ | 64-1x ¹⁾ |
|---|---------|----------------------|----------------------|---------------------|
| Design | | 2 | 2 | 2 |
| Weighing capacity | g | 220 | 120 | 60 |
| Readability | mg | 0.1 | 0.1 | 0.1 |
| Repeatability (standard deviation) | mg | 0.1 | 0.1 | 0.1 |
| Linearity deviation | mg | 0.2 | 0.2 | 0.2 |
| Typical starting point of the operating range ²⁾ | mg | 120 | 120 | 120 |
| Optimal starting point of the operating range ²⁾ | mg | 82 | 82 | 82 |
| Sensitivity drift between +10 °C and +30 °C | ± ppm/K | 1.5 | 1.5 | 1.5 |
| Typical stabilization time | s | 2 | 2 | 2 |
| isoCAL: | | | | |
| – Temperature change | K | 1.5 | 1.5 | 1.5 |
| – Time interval | h | 4 | 4 | 4 |
| Display result (depending on the set filter level) | s | 0.2 | 0.2 | 0.2 |
| Weighing pan size | mm | ∅ 90 | ∅ 90 | ∅ 90 |
| Weighing chamber height** | mm | 209 | 209 | 209 |
| Net weight, approx. | kg | 4.9 | 4.9 | 4.9 |



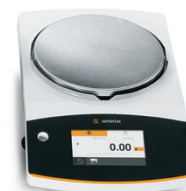
Design 1



Design 2



Design 3



Design 4

| Model | | 613-1x ¹⁾ | 513-1x ¹⁾ | 313-1x ¹⁾ | 213-1x ¹⁾ | 6102-1x ¹⁾ | 5102-1x ¹⁾ | 3102-1x ¹⁾ | 2102-1x ¹⁾ |
|---|---------|----------------------|----------------------|----------------------|----------------------|-----------------------|-----------------------|-----------------------|-----------------------|
| Design | | 3 | 3 | 3 | 3 | 4 | 4 | 4 | 4 |
| Weighing capacity | g | 610 | 510 | 310 | 210 | 6,100 | 5,100 | 3,100 | 2,100 |
| Readability | mg | 1 | 1 | 1 | 1 | 10 | 10 | 10 | 10 |
| Repeatability (standard deviation) | mg | 1 | 1 | 1 | 1 | 10 | 10 | 10 | 10 |
| Linearity deviation | mg | 2 | 2 | 2 | 2 | 20 | 20 | 20 | 30 |
| Typical starting point of the operating range ²⁾ | g | 1.5 | 1.5 | 1.5 | 1.5 | 12 | 12 | 12 | 12 |
| Optimal starting point of the operating range ²⁾ | g | 0.82 | 0.82 | 0.82 | 0.82 | 8.2 | 8.2 | 8.2 | 8.2 |
| Sensitivity drift between +10 °C and +30 °C | ± ppm/K | 3 | 3 | 3 | 3 | 3 | 3 | 3 | 5 |
| Typical stabilization time | s | 1 | 1 | 1 | 1 | 1 | 1 | 1 | 1.5 |
| isoCAL: | | | | | | | | | |
| - Temperature change | K | 2 | 2 | 4 | 4 | 2 | 2 | 4 | 4 |
| - Time interval | h | 6 | 6 | 12 | 12 | 6 | 6 | 12 | 12 |
| Display result (depending on the set filter level) | s | 0.1 0.2 | 0.1 0.2 | 0.1 0.2 | 0.1 0.2 | 0.1 0.2 | 0.1 0.2 | 0.1 0.2 | 0.1 0.2 |
| Weighing pan size | mm | ∅ 120 | ∅ 120 | ∅ 120 | ∅ 120 | ∅ 180 | ∅ 180 | ∅ 180 | ∅ 180 |
| Weighing chamber height** | mm | 209 | 209 | 209 | 209 | - | - | - | - |
| Net weight, approx. | kg | 4.9 | 4.9 | 4.9 | 4.9 | 5.2 | 5.2 | 5.2 | 4.7 |

| Model | | 1102-1x ¹⁾ | 612-1x ¹⁾ | 412-1x ¹⁾ | 6101-1x ¹⁾ | 5101-1x ¹⁾ | 2101-1x ¹⁾ | 6100-1x ¹⁾ | 5100-1x ¹⁾ |
|---|---------|-----------------------|----------------------|----------------------|-----------------------|-----------------------|-----------------------|-----------------------|-----------------------|
| Design | | 4 | 4 | 4 | 4 | 4 | 4 | 4 | 4 |
| Weighing capacity | g | 1,100 | 610 | 410 | 6,100 | 5,100 | 2,100 | 6,100 | 5,100 |
| Readability | mg | 10 | 10 | 10 | 100 | 100 | 100 | 1,000 | 1,000 |
| Repeatability (standard deviation) | mg | 10 | 10 | 10 | 100 | 100 | 100 | 500 | 500 |
| Linearity deviation | mg | 30 | 30 | 30 | 300 | 300 | 300 | 1,000 | 1,000 |
| Typical starting point of the operating range ²⁾ | g | 12 | 12 | 12 | 82 | 82 | 82 | 820 | 820 |
| Optimal starting point of the operating range ²⁾ | g | 8.2 | 8.2 | 8.2 | 82 | 82 | 82 | 820 | 820 |
| Sensitivity drift between +10 °C and +30 °C | ± ppm/K | 5 | 5 | 5 | 10 | 10 | 10 | 10 | 10 |
| Typical stabilization time | s | 1.5 | 1.5 | 1.5 | 1.5 | 1.5 | 1.5 | 1.5 | 1.5 |
| isoCAL: | | | | | | | | | |
| - Temperature change | K | 4 | 4 | 4 | 4 | 4 | 4 | 4 | 4 |
| - Time interval | h | 24 | 24 | 24 | 24 | 24 | 24 | 24 | 24 |
| Display result (depending on the set filter level) | s | 0.1 0.2 | 0.1 0.2 | 0.1 0.2 | 0.1 0.2 | 0.1 0.2 | 0.1 0.2 | 0.1 0.2 | 0.1 0.2 |
| Weighing pan size | mm | ∅ 180 | ∅ 180 | ∅ 180 | ∅ 180 | ∅ 180 | ∅ 180 | ∅ 180 | ∅ 180 |
| Net weight, approx. | kg | 4.7 | 4.7 | 4.7 | 4.7 | 4.7 | 4.7 | 4.7 | 4.7 |

* In combination with weighing pan, 80 mm, slotted YSP01SQP

** Upper edge of the weighing pan to the lower edge of the upper draft shield panel

¹⁾ Possible terms for country-specific models:

x = S: Standard balances without country-specific additions

x = SAR: Standard balances with country-specific additions for Argentina

x = SJP: Standard balances with country-specific additions for Japan

x = SKR: Standard balances with country-specific additions for South Korea

²⁾ According to USP (United States Pharmacopeia) Chapter 41, the optimal operating range is defined from 820d to maximum weighing capacity. Depending on the installation location and environmental conditions, the value could be higher.

Verified Models with Country-specific Type Approval Certificate

| Model | | 125D-1x ²⁾ | 65-1x ²⁾ | 35-1x ²⁾ |
|---|----|--------------------------------------|----------------------------|---------------------------|
| Design | | 1 | 1 | 1 |
| Accuracy class | | Ⓢ | Ⓢ | Ⓢ |
| Type ³⁾ | | SQP-F | SQP-F | SQP-F |
| Max | g | 60 120 | 60 | 30 |
| Scale interval d | g | 0.00001 0.0001 | 0.00001 | 0.00001 |
| Verification scale interval e | g | 0.001 | 0.001 | 0.001 |
| Min | g | 0.001 | 0.001 | 0.001 |
| Min (only for Models ...-10IN) | g | 0.1 | 0.1 | 0.1 |
| Tare (subtractive) | | <100 % of the max. weighing capacity | | |
| Typical starting point of the operating range ⁴⁾ | g | 0.025* | 0.025* | 0.025* |
| Optimal starting point of the operating range ⁴⁾ | g | 0.0082* | 0.0082* | 0.0082* |
| Typical stabilization time | s | 6 2 | 6 | 6 |
| isoCAL: | | | | |
| - Temperature change | K | 1.5 | 1.5 | 1.5 |
| - Time interval | h | 4 | 4 | 4 |
| Display result (depending on the set filter level) | s | 0.2 0.4 | 0.2 0.4 | 0.2 0.4 |
| Weighing pan size | mm | ∅ 80 (optional ∅ 90) | ∅ 80 (optional ∅ 90) | ∅ 80 (optional ∅ 90) |
| Weighing chamber height** | mm | 218 | 218 | 218 |
| Net weight, approx. | kg | 7.8 | 7.8 | 7.8 |
| IP protection class | | IP43 | IP43 | IP43 |
| Model | | 224-1x²⁾ | 124-1x²⁾ | 64-1x²⁾ |
| Design | | 2 | 2 | 2 |
| Accuracy class | | Ⓢ | Ⓢ | Ⓢ |
| Type ³⁾ | | SQP-A | SQP-A | SQP-A |
| Max | g | 220 | 120 | 60 |
| Scale interval d | mg | 0.1 | 0.1 | 0.1 |
| Verification scale interval e | mg | 1 | 1 | 1 |
| Min | g | 0,01 | 0,01 | 0,01 |
| Min (only for Models ...-10IN) | g | 0.1 | 0.1 | 0.1 |
| Tare (subtractive) | | <100 % of the max. weighing capacity | | |
| Typical starting point of the operating range ⁴⁾ | g | 0.12 | 0.12 | 0.12 |
| Optimal starting point of the operating range ⁴⁾ | g | 0.082 | 0.082 | 0.082 |
| Typical stabilization time | s | 2 | 2 | 2 |
| isoCAL: | | | | |
| - Temperature change | K | 1.5 | 1.5 | 1.5 |
| - Time interval | h | 4 | 4 | 4 |
| Display result (depending on the set filter level) | s | 0.2 | 0.2 | 0.2 |
| Weighing pan size | mm | ∅ 90 | ∅ 90 | ∅ 90 |
| Weighing chamber height** | mm | 209 | 209 | 209 |
| Net weight, approx. | kg | 4.9 | 4.9 | 4.9 |

| Model | | 613-1x ²⁾ | 513-1x ²⁾ | 313-1x ²⁾ | 213-1x ²⁾ | 6102-1x ²⁾ | 5102-1x ²⁾ | 3102-1x ²⁾ | 2102-1x ²⁾ |
|---|----|--------------------------------------|----------------------|----------------------|----------------------|-----------------------|-----------------------|-----------------------|-----------------------|
| Design | | 3 | 3 | 3 | 3 | 4 | 4 | 4 | 4 |
| Accuracy class | | Ⓔ | Ⓔ | Ⓔ | Ⓔ | Ⓔ | Ⓔ | Ⓔ | Ⓔ |
| Type ³⁾ | | SQP-B | SQP-B | SQP-B | SQP-B | SQP-C | SQP-C | SQP-C | SQP-D |
| Max | g | 610 | 510 | 310 | 210 | 6,100 | 5,100 | 3,100 | 2,100 |
| Scale interval d | mg | 1 | 1 | 1 | 1 | 10 | 10 | 10 | 10 |
| Verification scale interval e | mg | 10 | 10 | 10 | 10 | 100 | 100 | 100 | 100 |
| Min | g | 0.02 | 0.02 | 0.02 | 0.02 | 0.5 | 0.5 | 0.5 | 0.5 |
| Min (only for Models ...-10IN) | g | 0.2 | 0.2 | 0.2 | 0.2 | 5 | 5 | 5 | 5 |
| Tare (subtractive) | | < 100% of the max. weighing capacity | | | | | | | |
| Typical starting point of the operating range ⁴⁾ | g | 1.5 | 1.5 | 1.5 | 1.5 | 12 | 12 | 12 | 12 |
| Optimal starting point of the operating range ⁴⁾ | g | 0.82 | 0.82 | 0.82 | 0.82 | 8.2 | 8.2 | 8.2 | 8.2 |
| Typical stabilization time | s | 1 | 1 | 1 | 1 | 1 | 1 | 1 | 1.5 |
| isoCAL: | | | | | | | | | |
| - Temperature change | K | 2 | 2 | 2 | 2 | 2 | 2 | 2 | 2 |
| - Time interval | h | 4 | 4 | 6 | 6 | 6 | 6 | 6 | 6 |
| Display result (depending on the set filter level) | s | 0.1 0.2 | 0.1 0.2 | 0.1 0.2 | 0.1 0.2 | 0.1 0.2 | 0.1 0.2 | 0.1 0.2 | 0.1 0.2 |
| Weighing pan size | mm | ∅ 120 | ∅ 120 | ∅ 120 | ∅ 120 | ∅ 180 | ∅ 180 | ∅ 180 | ∅ 180 |
| Weighing chamber height** | mm | 209 | 209 | 209 | 209 | - | - | - | - |
| Net weight, approx. | kg | 4.9 | 4.9 | 4.9 | 4.9 | 5.2 | 5.2 | 5.2 | 4.7 |

| Model | | 1102-1x ²⁾ | 612-1x ²⁾ | 6101-1x ²⁾ | 5101-1x ²⁾ | 6100-1x ²⁾ | 5100-1x ²⁾ |
|---|----|--------------------------------------|----------------------|-----------------------|-----------------------|-----------------------|-----------------------|
| Design | | 4 | 4 | 4 | 4 | 4 | 4 |
| Accuracy class | | Ⓔ | Ⓔ | Ⓔ | Ⓔ | Ⓔ | Ⓔ |
| Type ³⁾ | | SQP-D | SQP-D | SQP-E | SQP-E | SQP-E | SQP-E |
| Max | g | 1,100 | 610 | 6,100 | 5,100 | 6,100 | 5,100 |
| Scale interval d | mg | 10 | 10 | 100 | 100 | 1,000 | 1,000 |
| Verification scale interval e | mg | 100 | 100 | 1,000 | 1,000 | 1,000 | 1,000 |
| Min | g | 0.5 | 0.5 | 5 | 5 | 50 | 50 |
| Min (only for Models ...-10IN) | g | 5 | 5 | 5 | 5 | 50 | 50 |
| Tare (subtractive) | | < 100% of the max. weighing capacity | | | | | |
| Typical starting point of the operating range ⁴⁾ | g | 12 | 12 | 82 | 82 | 820 | 820 |
| Optimal starting point of the operating range ⁴⁾ | g | 8.2 | 8.2 | 82 | 82 | 820 | 820 |
| Typical stabilization time | s | 1.5 | 1.5 | 1.5 | 1.5 | 1.5 | 1.5 |
| isoCAL: | | | | | | | |
| - Temperature change | K | 2 | 2 | 2 | 2 | 2 | 2 |
| - Time interval | h | 6 | 6 | 6 | 6 | 6 | 6 |
| Display result (depending on the set filter level) | s | 0.1 0.2 | 0.1 0.2 | 0.1 0.2 | 0.1 0.2 | 0.1 0.2 | 0.1 0.2 |
| Weighing pan size | mm | ∅ 180 | ∅ 180 | ∅ 180 | ∅ 180 | ∅ 180 | ∅ 180 |
| Net weight, approx. | kg | 4.7 | 4.7 | 4.7 | 4.7 | 4.7 | 4.7 |

* In combination with weighing pan, 80 mm, slotted YSP01SQP

** Upper edge of the weighing pan to the lower edge of the upper draft shield panel

²⁾ Possible terms for country-specific models:

- x = CEU: Verified balances with EC Type Approval Certificate D12-09-014 (for EU except France, Italy, and Switzerland)
- x = CFR: Verified balances with EC Type Approval Certificate D12-09-014 for France only
- x = CIT: Verified balances with EC Type Approval Certificate D12-09-014 for Italy only
- x = CCH: Verified balances with EC Type Approval Certificate D12-09-014 for Switzerland only

x = CN: CMC Type Approval Certificate for China

x = OJP: Balance with Type Approval Certificate for Japan

x = OBR: Balance with Type Approval Certificate for Brazil

x = ORU: Balance with Type Approval Certificate for Russia

x = OIN: Balance with Type Approval Certificate for India

x = OAU: Balance with Type Approval Certificate for Australia

³⁾ All models with "...CN": type "SQP"

⁴⁾ According to USP (United States Pharmacopeia) Chapter 41, the optimal operating range is defined from 820d to maximum weighing capacity. Depending on the installation location and environmental conditions, the value could be higher.

Optional Accessories

Printers and Communications

| | |
|--|-----------|
| Premium GLP Laboratory Printer | YDP30 |
| – Printer paper for GLP laboratory printer | 69Y03285 |
| – Endless labels for GLP laboratory printer | 69Y03286 |
| Standard Laboratory Printer | YDP40 |
| – Printer paper for standard laboratory printer | 69Y03287 |
| Data communication cable, USB USB A | YCC04-D09 |
| Data communication cable, mini USB RS232, 9-pin | YCC03-D09 |
| Data communication cable, mini USB RS232, 25-pin | YCC03-D25 |

General

| | |
|--|----------|
| Battery Pack for Standard Lab Balances | YRB11Z |
| Draft shield for balances with a readability of 10 mg | YDS01SQP |
| Round glass draft shield for balances with a readability of 1 mg | YDS02SQP |
| In-use cover for balances with a readability of 0.01 mg | 6960SE05 |
| In-use cover for balances with a readability of 0.1 mg 1 mg | 6960SE01 |
| In-use cover for balances with a readability of 10 mg | 6960SE02 |
| Dust cover for balances with a readability of 0.1 mg 1 mg | 6960SE03 |
| Dust cover for balances with a readability of 0.01 mg | 6960SE04 |

Weighing Pans (for balances design 1)

| | |
|--|----------|
| Weighing pan, 80 mm, slotted | YSP01SQP |
| Weighing pan, 90 mm; includes conversion kit | YWP01SQP |
| Filter weighing pan, 130 mm | YFW01SQP |

Density Determination

| | |
|--|--------|
| Density kit for balances with a readability of 0.01 mg | VF4601 |
| Density kit for balances with a readability of 0.1 mg 1 mg | YDK03 |
| Density kit for balances with a readability of 10 mg | YDK04 |

Calibration Weights

| | |
|--|--------------|
| Calibration for lab balance model 224; 313; 213 – Proof Line knob weight 200 g, OIML class E2, with DAkkS certificate | YCW522-AC-02 |
| Calibration for lab balance model 124 – Proof Line knob weight 100 g, OIML class E2, with DAkkS certificate | YCW512-AC-02 |
| Calibration for lab balance model 125D; 65; 64 – Proof Line knob weight 50 g, OIML class E2, with DAkkS certificate | YCW452-AC-02 |
| Calibration for lab balance model 35 – Proof Line knob weight 20 g, OIML class E2, with DAkkS certificate | YCW422-AC-02 |
| Calibration for lab balance model 613; 513 – Proof Line knob weight 500 g, OIML class E2, with DAkkS certificate | YCW552-AC-02 |
| Calibration for lab balance model 6102; 5102 – Proof Line knob weight 5 kg, OIML class E2, with DAkkS certificate | YCW652-AC-02 |
| Calibration for lab balance model 3102; 2102 – Proof Line knob weight 2 kg, OIML class F1, with DAkkS certificate | YCW623-AC-02 |
| Calibration for lab balance model 1102 – Proof Line knob weight 1 kg, OIML class F1, with DAkkS certificate | YCW613-AC-02 |
| Calibration for lab balance model 612 – Proof Line knob weight 500 g, OIML class F1, with DAkkS certificate | YCW553-AC-02 |
| Calibration for lab balance model 412 – Proof Line knob weight 200 g, OIML class F1, with DAkkS certificate | YCW523-AC-02 |
| Calibration for lab balance model 6101; 5101; 6100; 5100 – Proof Line knob weight 5 kg, OIML class F2, with DAkkS certificate | YCW654-AC-02 |
| Calibration for lab balance model 2101 – Proof Line knob weight 2 kg, OIML class F2, with DAkkS certificate | YCW624-AC-02 |



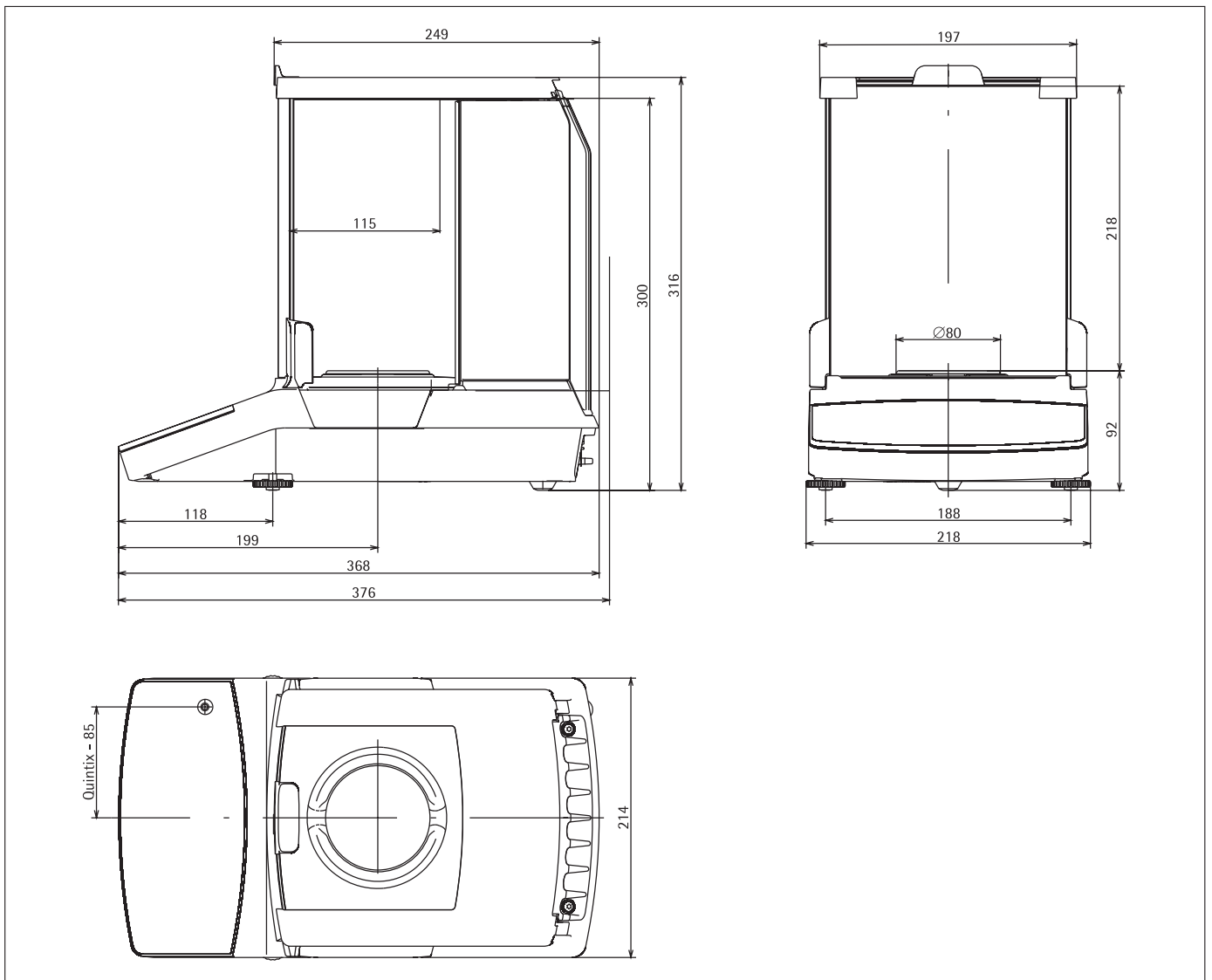
YDP30, Premium GLP Laboratory Printer



Calibration Weights

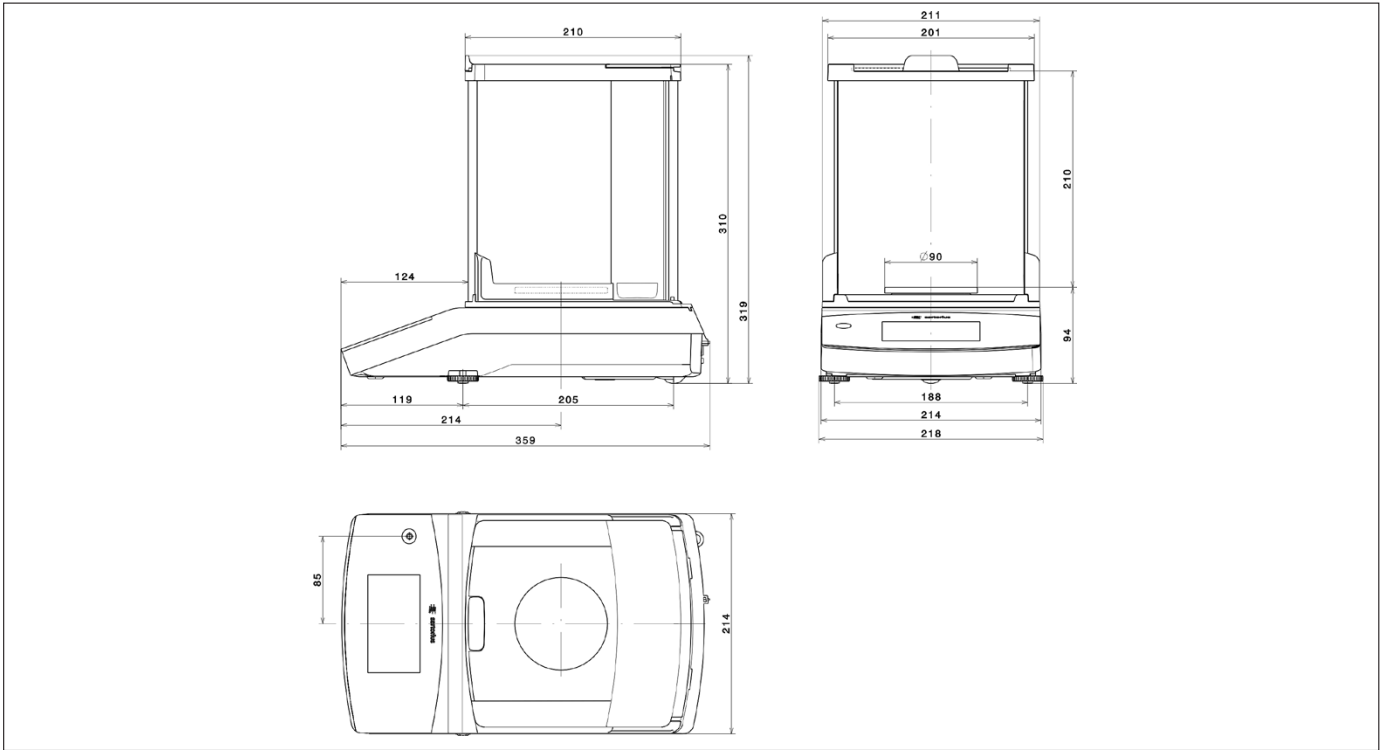
Technical Drawings

Models with a readability of 0.01 mg,
in mm

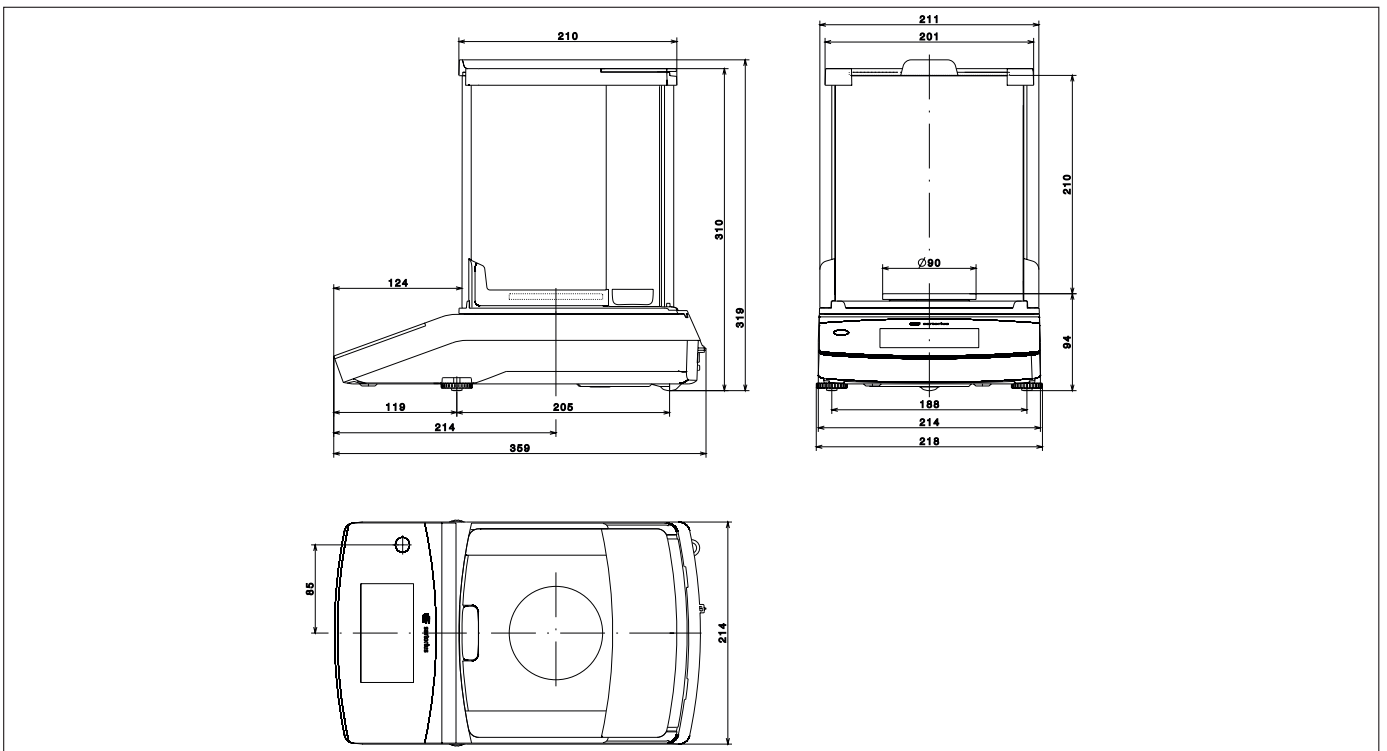


Technical Drawings

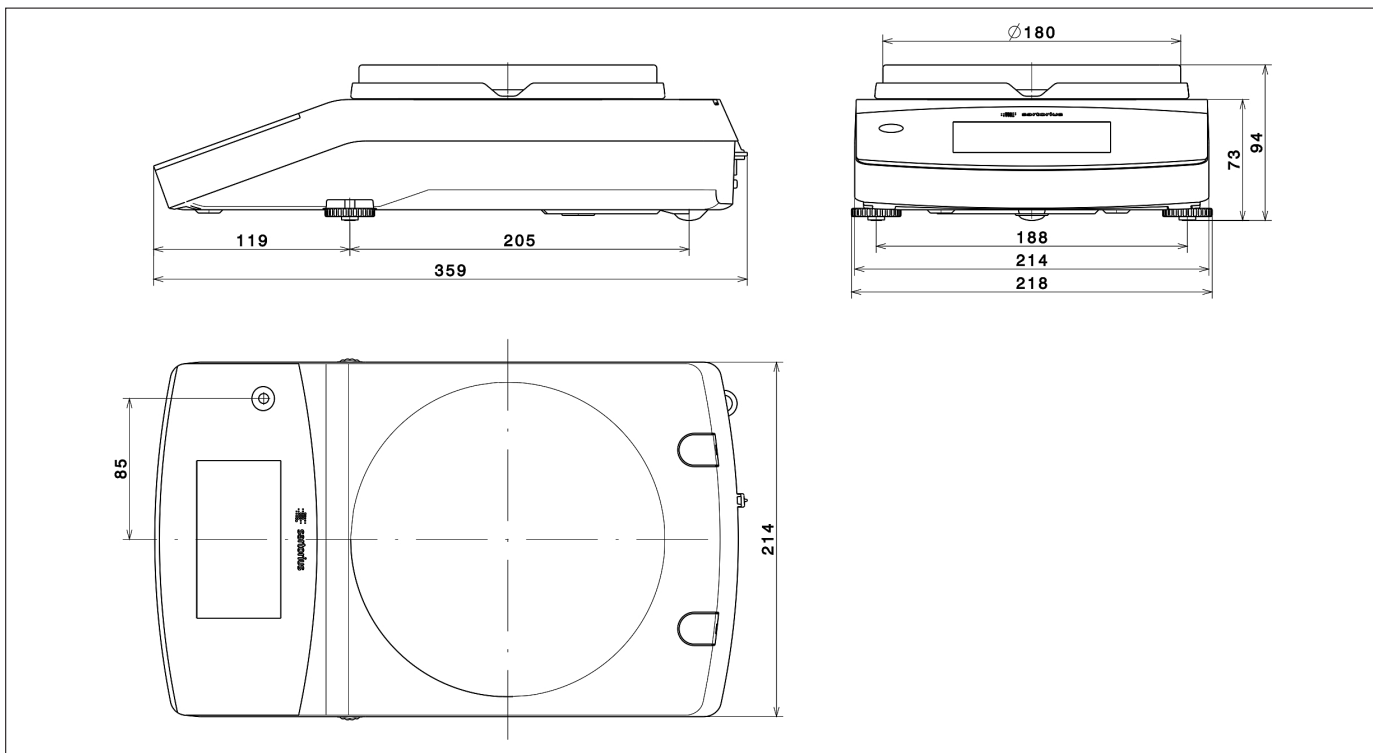
Models with a readability of 0.1 mg,
in mm



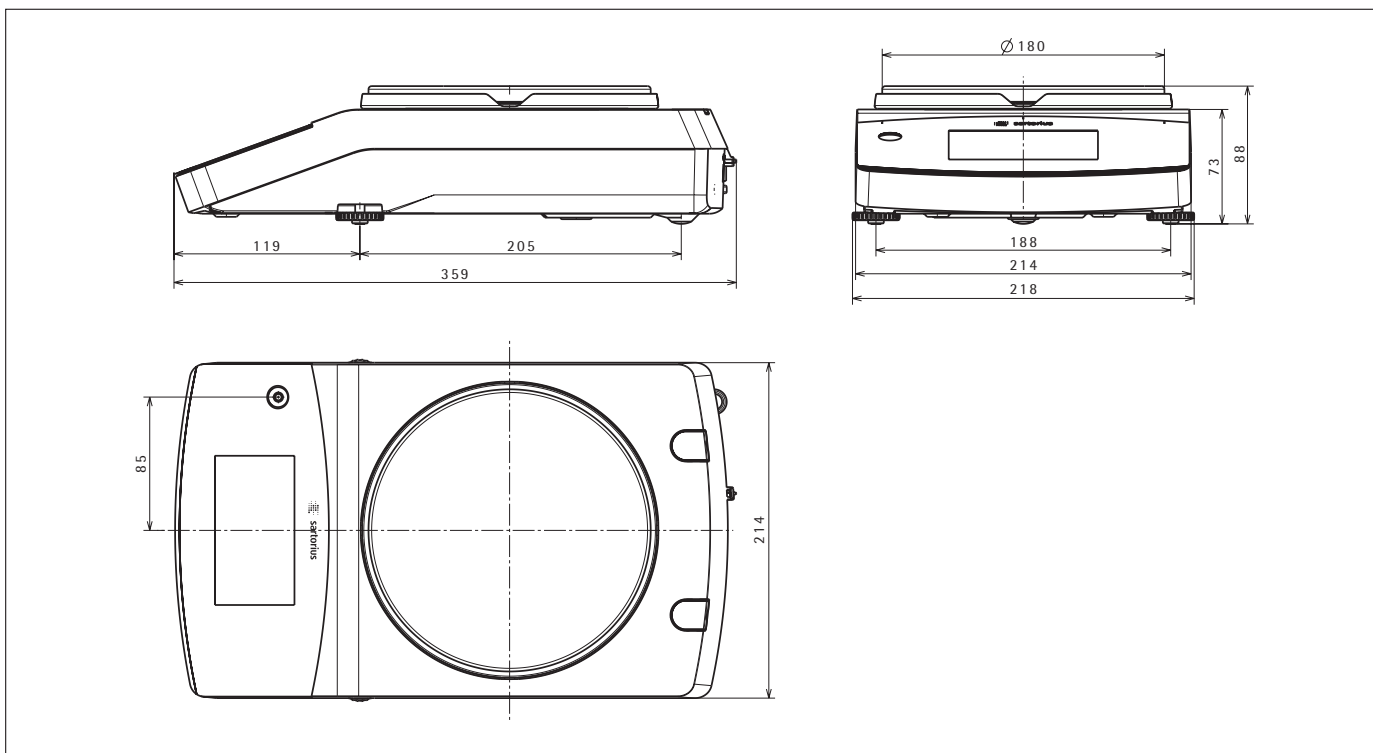
Models with a readability of 1 mg,
in mm



Models with a readability of 10 mg and a capacity of $\geq 3,100$ g,
in mm



Models with a readability of ≥ 10 mg (exclude 3102, 5102, 6102),
in mm



Sales and Service Contacts

For further contacts, visit www.sartorius.com

Europe

Germany

Sartorius Lab Instruments
GmbH & Co. KG
Otto-Brenner-Strasse 20
37079 Goettingen
Phone +49.551.308.0
Fax +49.551.308.3289

France & Suisse Romande

Sartorius France
2, rue Antoine Laurent de Lavoisier
ZA de la Gaudrée
91410 Dourdan
Phone +33.1.70.62.50.00
Fax +33.1.64.59.76.39

Austria

Sartorius Austria GmbH
Modecenterstrasse 22
1030 Vienna
Phone +43.1.7965760.0
Fax +43.1.7965760.24

Belgium

Sartorius Belgium N.V.
Rue Colonel Bourg 105
1030 Bruxelles
Phone +32.2.756.06.90
Fax +32.2.481.84.11

Finland & Baltics

Sartorius Biohit Liquid Handling Oy
Laippatie 1
00880 Helsinki
Phone +358.9.755.951
Fax +358.9.755.95.200

Hungary

Sartorius Hungária Kft.
Kagyló u. 5.
2092 Budakeszi
Phone +3623.457.227
Fax +3623.457.147

Ireland

Sartorius Ireland Ltd.
Unit 41, The Business Centre
Stadium Business Park
Ballycoolin Road
Dublin 11
Phone +353.1.8089050
Fax +353.1.8089388

Italy

Sartorius Italy S.r.l.
Viale A. Casati, 4
20835 Muggiò (MB)
Phone +39.039.4659.1
Fax +39.039.4659.88

Netherlands

Sartorius Netherlands B.V.
Phone +31.30.60.53.001
Fax +31.30.60.52.917
info.netherlands@sartorius.com

Poland

Sartorius Poland sp.z o.o.
ul. Wrzesinska 70
62-025 Kostrzyn
Phone +48.61.6473830
Fax +48.61.6473839

Russian Federation

LLC "Sartorius RUS"
Uralskaya str. 4, Lit. B
199155 St. Petersburg
Phone +7.812.327.53.27
Fax +7.812.327.53.23

Spain & Portugal

Sartorius Spain, S.A.
Avda. de la Industria, 32
Edificio PAYMA
28108 Alcobendas (Madrid)
Phone Spain +34.913.586.095
Phone Portugal +351.800.855.800
Fax Spain +34.913.589.623
Fax Portugal +351.800.855.799

Switzerland

Sartorius Mechatronics Switzerland AG
Ringstrasse 24a
8317 Tagelswangen (ZH)
Phone +41.44.746.50.00
Fax +41.44.746.50.50

U.K.

Sartorius UK Ltd.
Longmead Business Centre
Blenheim Road, Epsom
Surrey KT19 9QQ
Phone +44.1372.737159
Fax +44.1372.726171

Ukraine

LLS "Sartorius RUS"
Post Box 440 "B"
01001 Kiev, Ukraine
Phone +380.44.411.4918
Fax +380.50.623.3162

Americas

USA

Sartorius Corporation
5 Orville Drive, Suite 200
Bohemia, NY 11716
Phone +1.631.254.4249
Toll-free +1.800.635.2906
Fax +1.631.254.4253

Argentina

Sartorius Argentina S.A.
Int. A. AVALOS 4251
B1605ECS Munro
Buenos Aires
Phone +54.11.4721.0505
Fax +54.11.4762.2333

Brazil

Sartorius do Brasil Ltda
Avenida Senador Vergueiro 2962
São Bernardo do Campo
CEP 09600-000 - SP- Brasil
Phone +55.11.4362.8900
Fax +55.11.4362.8901

Canada

Sartorius Canada Inc.
2179 Dunwin Drive #4
Mississauga, ON L5L 1X2
Phone +1.905.569.7977
Toll-Free +1.800.668.4234
Fax +1.905.569.7021

Mexico

Sartorius de México, S.A. de C.V.
Libramiento Norte de Tepetzotlan s/n,
Colonia Barrio Tlacateco,
Municipio de Tepetzotlan,
Estado de México,
C.P. 54605
Phone +52.55.5562.1102
Fax +52.55.5562.2942
leadsmex@sartorius.com

Peru

Sartorius Peru S.A.C.
Av. Emilio Cavenecia 264 San Isidro
15073 Lima, Perú
Phone +51.1.441 0158
Fax +51.1.422 6100

Asia | Pacific

Australia

Sartorius Australia Pty. Ltd.
Unit 5, 7-11 Rodeo Drive
Dandenong South Vic 3175
Phone +61.3.8762.1800
Fax +61.3.8762.1828

China

Sartorius (Shanghai) Trading Co., Ltd.
3rd Floor, North Wing, Tower 1
No. 4560 Jinke Road
Zhangjiang Hi-Tech Park
Pudong District
Shanghai 201210, P.R. China
Phone +86.21.6878.2300
Fax +86.21.6878.2882

Hong Kong

Sartorius Hong Kong Ltd.
Unit 1012, Lu Plaza
2 Wing Yip Street
Kwun Tong
Kowloon, Hong Kong
Phone +852.2774.2678
Fax +852.2766.3526

India

Sartorius Weighing India Pvt. Ltd.
#69/2-69/3, NH 48, Jakkasandra,
Nelamangala Tq
562 123 Bangalore, India
Phone +91.80.4350.5250
Fax +91.80.4350.5253

Japan

Sartorius Japan K.K.
4th Fl., Daiwa Shinagawa North Bldg.
8-11, Kita-Shinagawa 1-chome
Shinagawa-ku, Tokyo, 140-0001 Japan
Phone +81.3.3740.5408
Fax +81.3.3740.5406

Malaysia

Sartorius Malaysia Sdn. Bhd
Lot L3-E-3B, Enterprise 4
Technology Park Malaysia
Bukit Jalil
57000 Kuala Lumpur, Malaysia
Phone +60.3.8996.0622
Fax +60.3.8996.0755

Singapore

Sartorius Singapore Pte. Ltd
1 Science Park Road,
The Capricorn, #05-08A,
Singapore Science Park II
Singapore 117528
Phone +65.6872.3966
Fax +65.6778.2494

South Korea

Sartorius Korea Ltd.
8th Floor, Solid Space B/D,
PanGyoYeok-Ro 220, Bundang-Gu
SeongNam-Si, GyeongGi-Do, 463-400
Phone +82.31.622.5700
Fax +82.31.622.5799

Thailand

Sartorius (Thailand) Co. Ltd.
129 Rama 9 Road,
Huaykwang
Bangkok 10310
Phone +66.2643.8361-6
Fax +66.2643.8367



◀ www.sartorius.com