

PRESENTED BY



**AN ISO 17025
ACCREDITED COMPANY**

DALLAS FT WORTH AUSTIN HOUSTON

NICOLSCALES.COM

800.225.8181

[CONTACT US](#)

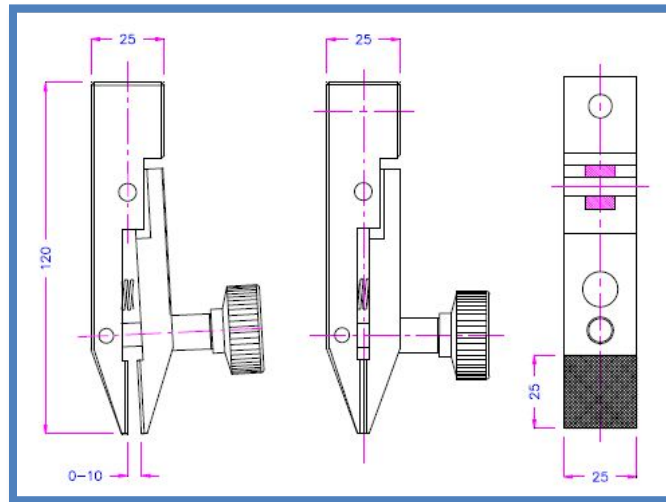
NICOL SCALES & MEASUREMENT IS AN ISO ACCREDITED CALIBRATION COMPANY THAT HAS PROVIDED CALIBRATION, REPAIR AND SALES OF ALL TYPES OF WEIGHING AND MEASUREMENT PRODUCTS SINCE 1931.

Pincer Grips

A range of small vice action pincer grips, available as direct connect and options of a connecting chain for self alignment
Ideal for testing of small component parts where access is an issue such as electrical and electronic components

Steel hardened, phosphate coated
Temperature Range 0 to +130° C
(Nickel plated -70 to +280° C)

Part Number	Description	Face Dimensions	Sample Thickness	Weight	Rating	Fixing
01/4191	Small pincer grip, crosscut faces	25mm x 25mm	0 – 10mm	452g	2kN	5/8 inch

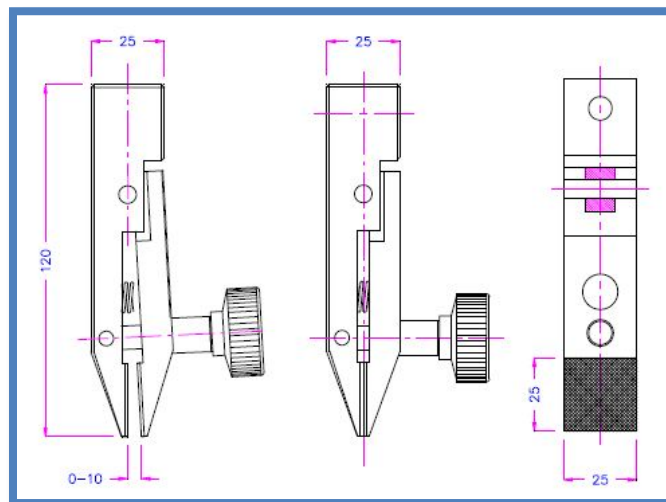


Pincer Grips

A range of small vice action pincer grips, available as direct connect and options of a connecting chain for self alignment
Ideal for testing of small component parts where access is an issue such as electrical and electronic components

Steel hardened Nickel Plated
Temperature Range -70 to +280° C

Part Number	Description	Face Dimensions	Sample Thickness	Weight	Rating	Fixing
01/4192	Small pincer grip, crosscut faces	25mm x 25mm	0 – 10mm	452g	2kN	5/8 inch

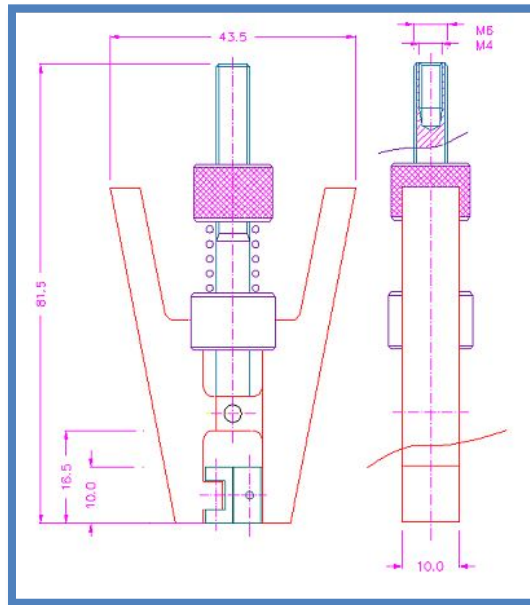


Pincer Grips

A range of small vice action pincer grips, available as direct connect and options of a connecting chain for self alignment
Ideal for testing of small component parts where access is an issue such as electrical and electronic components

Steel hardened, phosphate coated
Temperature Range 0 to +130° C

Part Number	Description	Face Dimensions	Sample Thickness	Weight	Rating	Fixing
01/4193	Small pincer grip, plain faces without chain	10mm x 10mm	0 – 3.4mm	98g	20N	5/8 inch

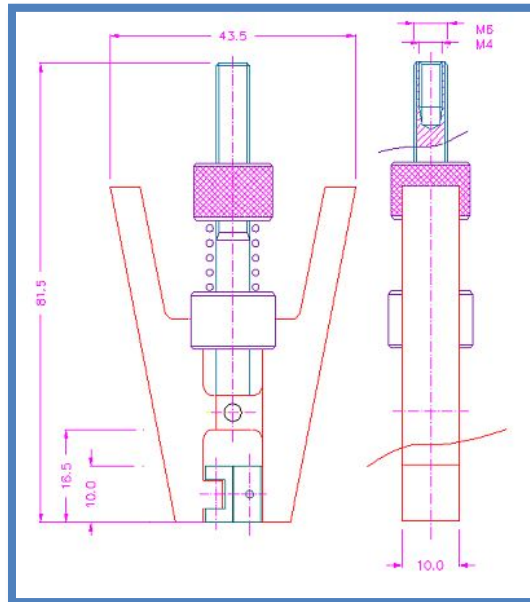


Pincer Grips

A range of small vice action pincer grips, available as direct connect and options of a connecting chain for self alignment
Ideal for testing of small component parts where access is an issue such as electrical and electronic components

Steel hardened, phosphate coated
Temperature Range 0 to +130° C

Part Number	Description	Face Dimensions	Sample Thickness	Weight	Rating	Fixing
01/4194	Small pincer grip, plain faces with chain 250mm	10mm x 10mm	0 – 3.4mm	98g	20N	5/8 inch

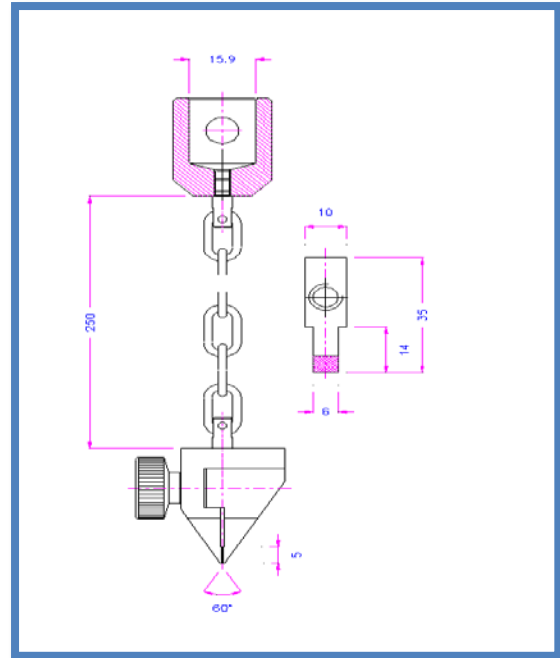


Pincer Grips

A range of small vice action pincer grips, available as direct connect and options of a connecting chain for self alignment
Ideal for testing of small component parts where access is an issue such as electrical and electronic components

Steel hardened, phosphate coated
Temperature Range 0 to +130° C

Part Number	Description	Face Dimensions	Sample Thickness	Weight	Rating	Fixing
01/4195	Small pincer grip, crosscut faces with chain 250mm	5mm x 6mm	0 – 4mm	95g	100N	5/8 inch

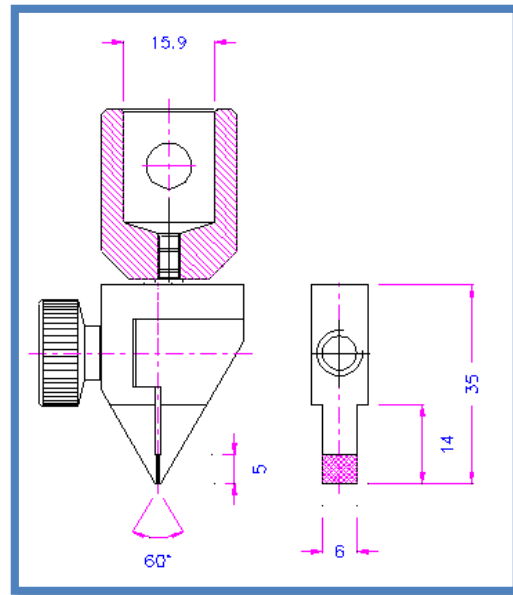


Pincer Grips

A range of small vice action pincer grips, available as direct connect and options of a connecting chain for self alignment
Ideal for testing of small component parts where access is an issue such as electrical and electronic components

Steel hardened, phosphate coated
Temperature Range 0 to +130° C

Part Number	Description	Face Dimensions	Sample Thickness	Weight	Rating	Fixing
01/4196	Small pincer grip, crosscut faces without chain	5mm x 6mm	0 – 4mm	95g	100N	5/8 inch

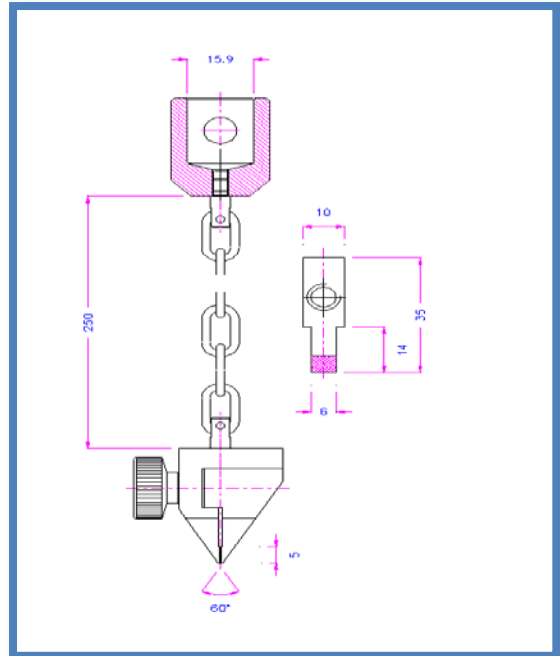


Pincer Grips

A range of small vice action pincer grips, available as direct connect and options of a connecting chain for self alignment
Ideal for testing of small component parts where access is an issue such as electrical and electronic components

Steel hardened, Nickel Plated
Temperature Range -70 to +280° C

Part Number	Description	Face Dimensions	Sample Thickness	Weight	Rating	Fixing
01/4197	Small pincer grip, crosscut faces with chain 250mm	5mm x 6mm	0 – 4mm	95g	100N	5/8 inch



Pincer Grips

A range of small vice action pincer grips, available as direct connect and options of a connecting chain for self alignment
Ideal for testing of small component parts where access is an issue such as electrical and electronic components

Steel hardened, Nickel Plated
Temperature Range -70 to +280° C

Part Number	Description	Face Dimensions	Sample Thickness	Weight	Rating	Fixing
01/4198	Small pincer grip, crosscut faces without chain	5mm x 6mm	0 – 4mm	95g	100N	5/8 inch

